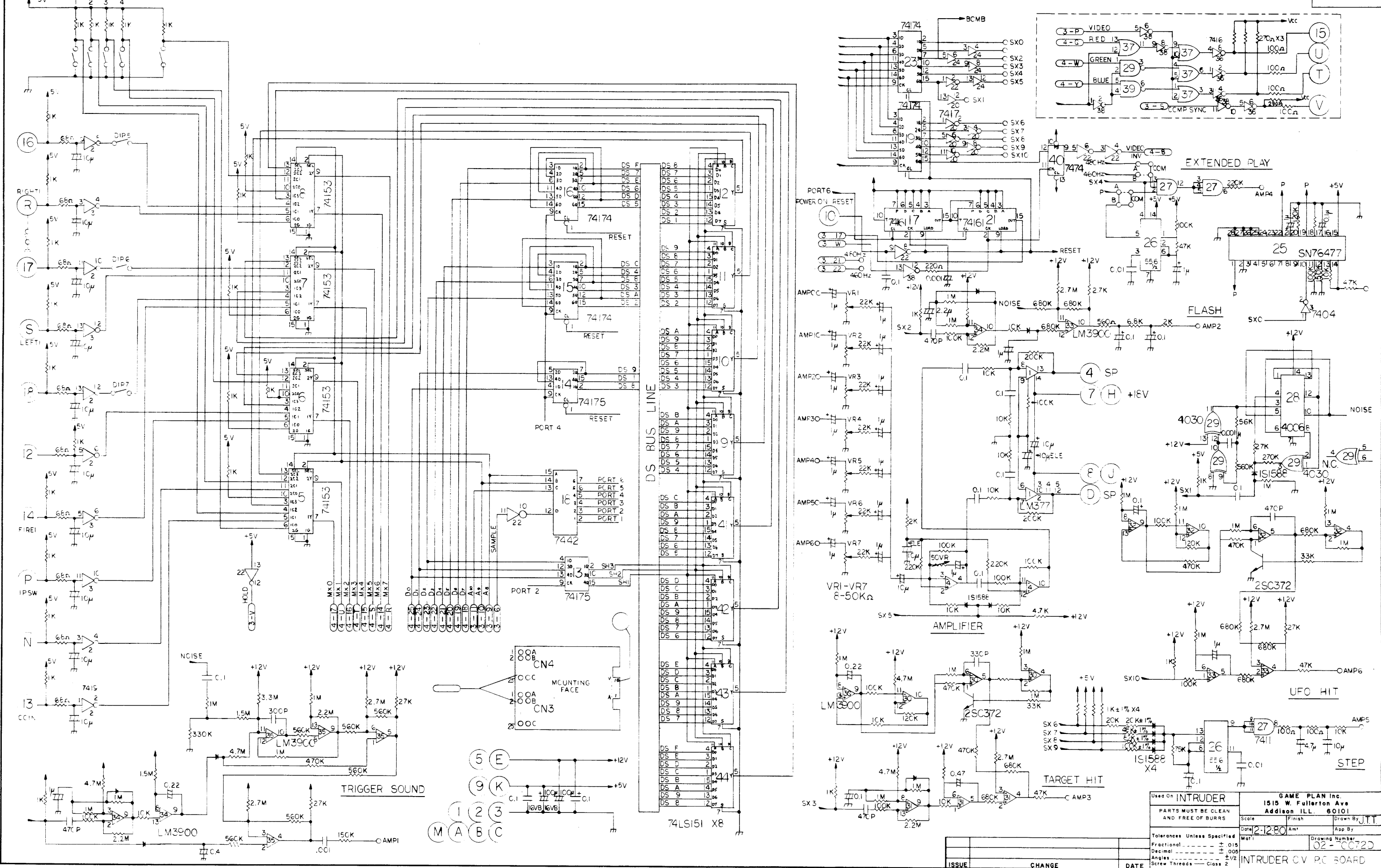
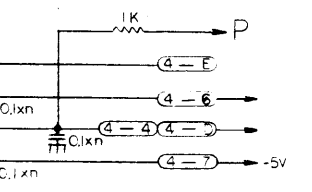
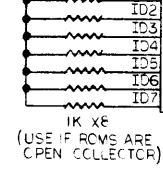
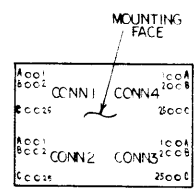
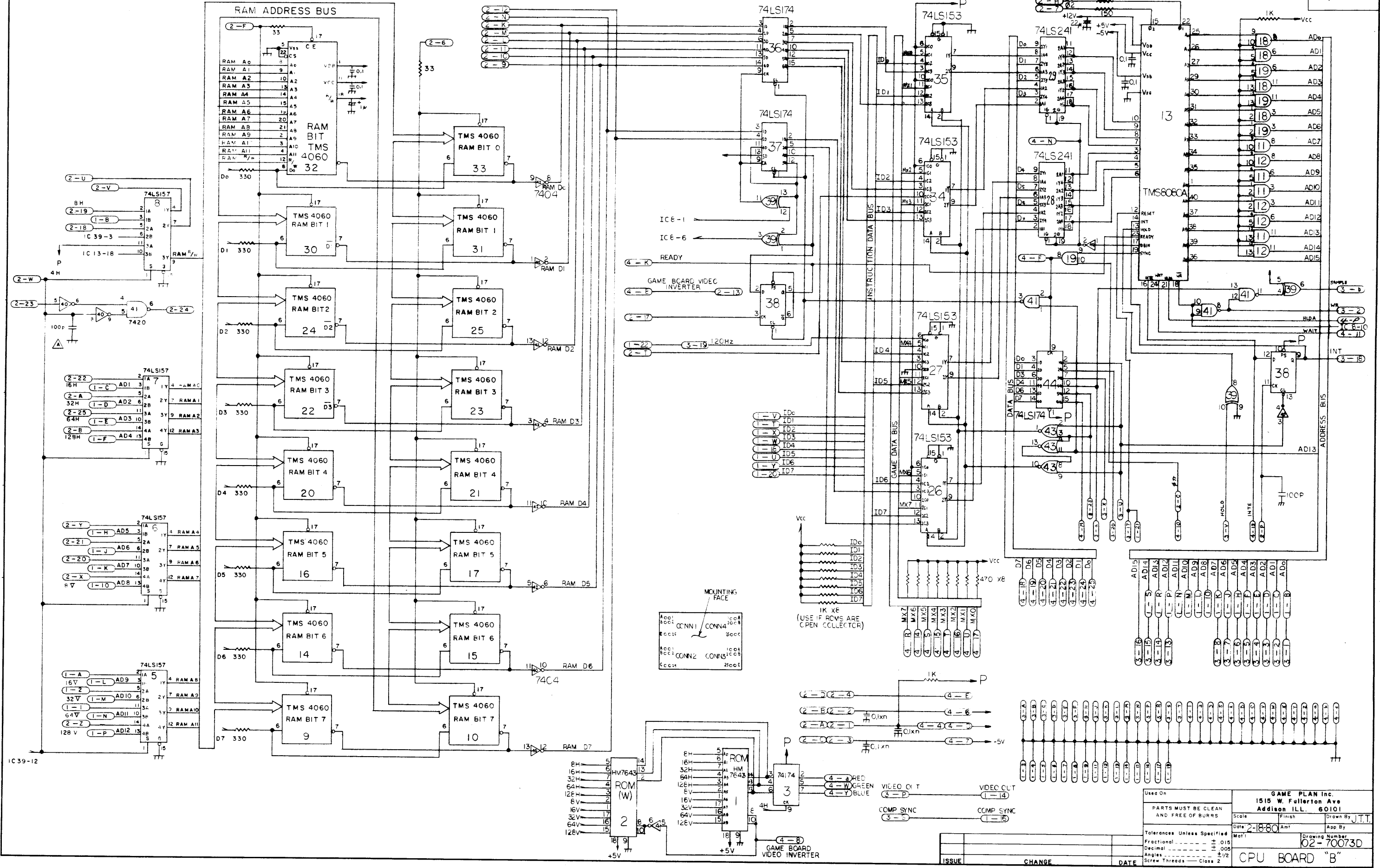


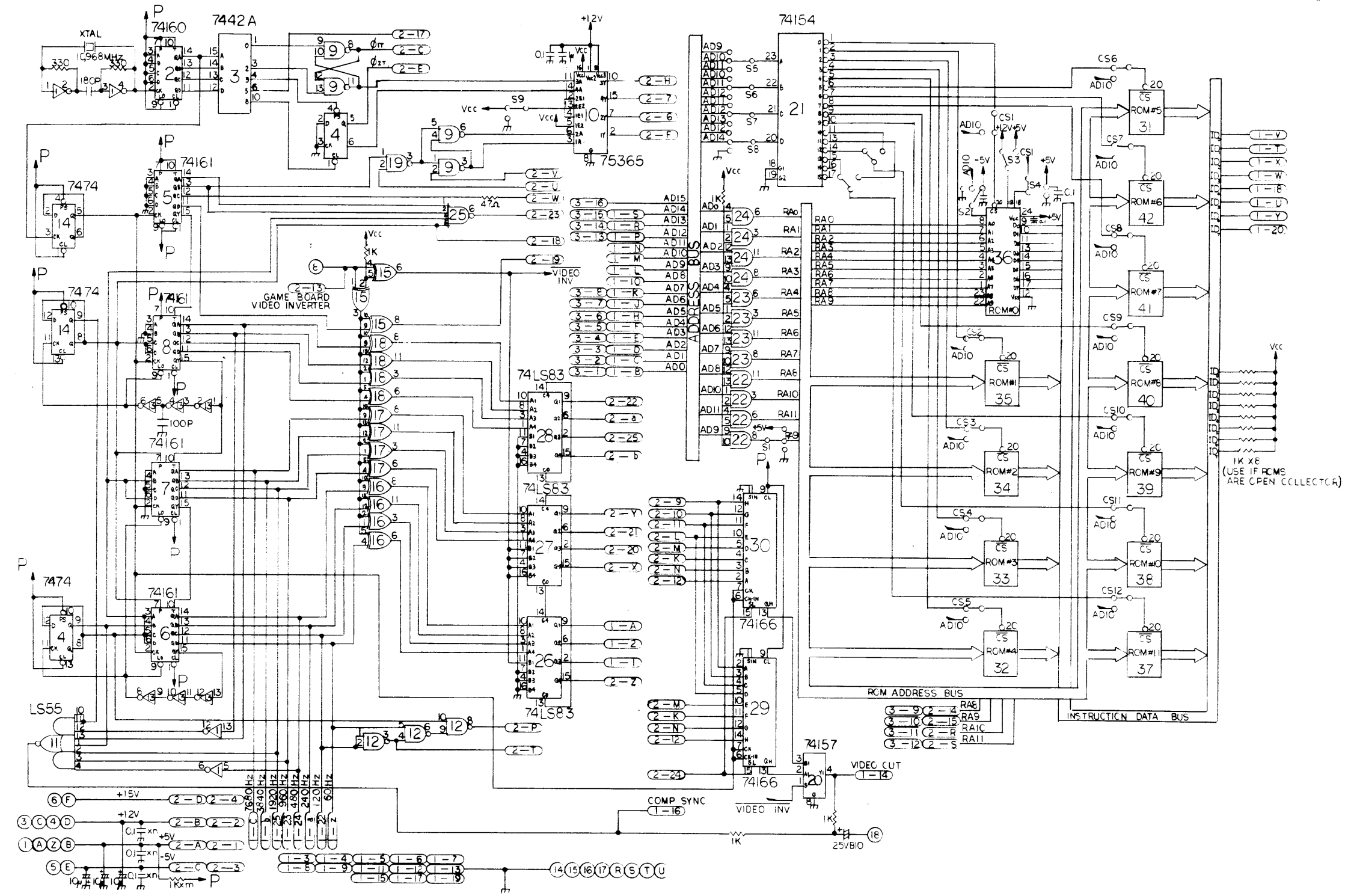
Used On	INTERIOR	GAME PLAN Inc. 1515 W. Fullerton Ave Addison ILL. 60101		
PARTS MUST BE CLEAN AND FREE OF BURRS	Scale	Finish	Drawn By	
	Date	Amt	App. By	
Tolerances Unless Specified	Mat'l			
Fractional	Drawing Number			
Decimal	CABINET WIRING			
Angles				
Screw Threads	Class 2			

ISSUE	CHANGE	DATE

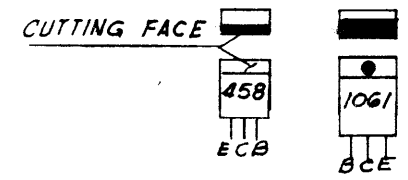
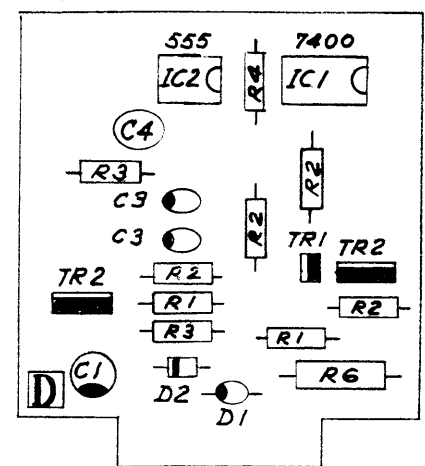




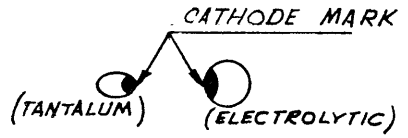
GAME PLAN Inc.			
1515 W. Fullerton Ave Addison ILL. 60101			
Scale	Finish	Drawn By J.T.T.	
Date 2-18-80	App	App By	
Tolerances Unless Specified		Drawing Number	
Fractional	± .015	102-70073D	
Decimal	± .005	CPU BOARD "B"	
Angles	± 1/2	DATE	
Screw Threads	Class 2	CHANGE	



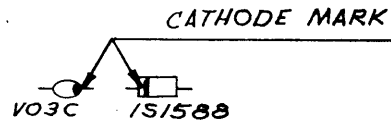
Used On	INTRUDER		
PARTS MUST BE CLEAN AND FREE OF BURRS	GAME PLAN Inc. 1515 W. Fullerton Ave Addison ILL. 60101		
Tolerances Unless Specified	Scale	Finish	Drawn By JTT
Fractional ----- ± 0.15	Date 2-16-80	App	App By
Decimal ----- ± 0.05	Matl	Drawing Number 02-70074D	
Angles ----- ± 1/2	Screw Threads ----- Class 2		
ISSUE	CHANGE	DATE	C.P.U. BOARD "A"



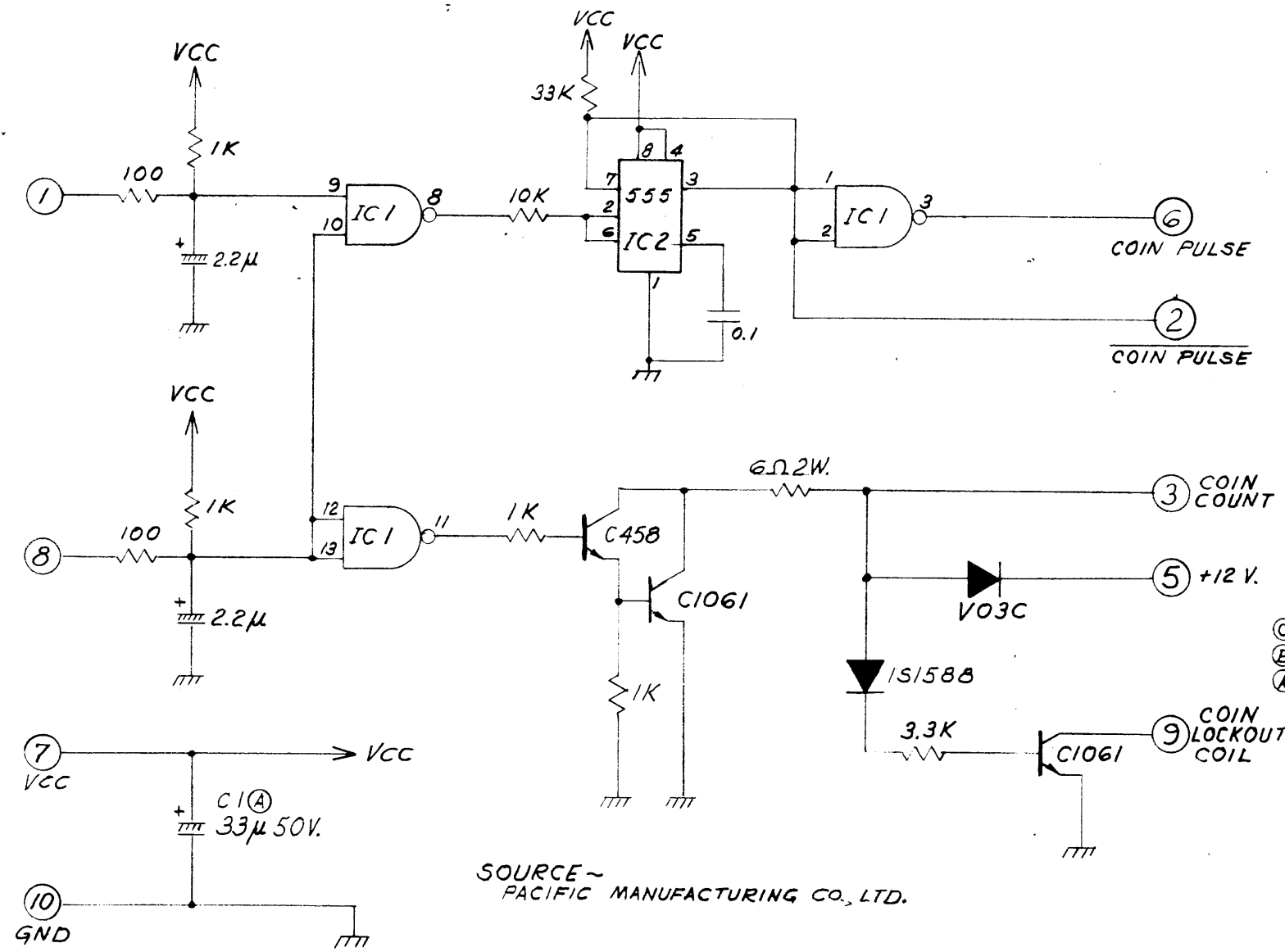
NOTE 1.-TRANSISTOR



NOTE 2: CAPACITOR



NOTE 3. DIODE



SOURCE - PACIFIC MANUFACTURING CO., LTD.

19				
18	1	R6	AAT 55033	RES. WINDING 6Ω 2W. ±10%
17	1	R5	51801	" CARBON 33KΩ 1/4W. ± 5%
16	1	R4	51789	" " 10KΩ " "
15	1	R3	51777	" " 3.3KΩ " "
14	4	R2	51765	" " 1KΩ " "
13	2	R1	51741	RES. CARBON 100Ω 1/4W. ± 5%
12	1	C4	41244	CAP. FILM TDY-1H-104 50V.
11	2	C3	<del>41437</del>	" ELYTIC 50V.-2.2μ.
10	1	C2	41436	" TANTALUM SSG3S-1F
9	1	C1		CAP. ELECTROLYTIC 50VB33
8	1	IC2	32019	TTL IC NE555V
7	1	IC1	32001	TTL IC 7400
6	1	D2	12025	DIODE 1S1588
5	1	D1	12002	DIODE V03C
4	2	TR2	11030	TRANSISTOR 2SC1061-B
3	1	TR1	AAT11005	TRANSISTOR 2SC458-C
2	1		AA017623	CONNECTOR STICKER D
1	1		AA017770	COUNTER DRIVE P.C. BOARD
ITEM No.	QUAN. REQ.	SYMB	PART NUMBER	DESCRIPTION

Used On		GAME PLAN Inc. 1515 W. Fullerton Ave Addison ILL. 60101	
PARTS MUST BE CLEAN AND FREE OF BURRS		Scale	Finish
		Drawn By <b>BP</b>	
Date	12-23-80	Amt	1
		App. By	
		Mat'l NOTED	
		Drawing Number 02-70075C	
COUNTER DRIVE P.C. BOARD (INTRUDER)			

C	50V.-2.2μ ELYTIC WAS TANT. SSG3S-2R2F	12-23-80
B	ITEM 10 DELETED	12-23-80
A	ITEM 9 WAS 25VB33 P/N 41034	12-23-80
ISSUE	CHANGE	DATE

Tolerances Unless Specified  
 Fractional ± .015  
 Decimal ± .005  
 Angles ± 1/2  
 Screw Threads — Class 2