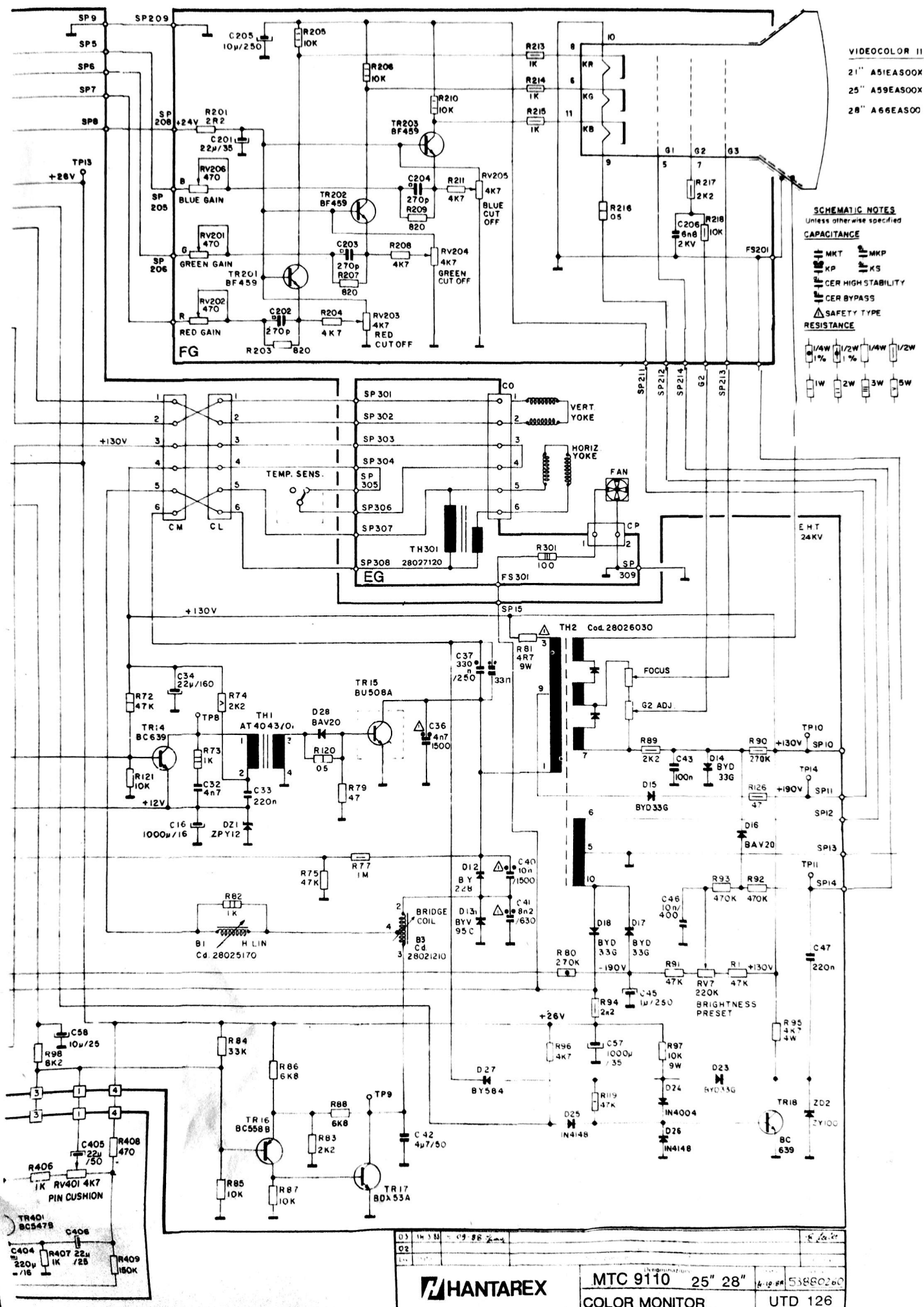


VIDEOCOLOR II  
 21" A51EAS00X  
 25" A59EAS00X  
 28" A66EAS00

**SCHEMATIC NOTES**  
 Unless otherwise specified

**CAPACITANCE**  
 MKT MKP  
 KP KS  
 CER HIGH STABILITY  
 CER BYPASS  
 SAFETY TYPE

**RESISTANCE**  
 1/4W 1% 1/2W 1% 1/4W 1/2W  
 1W 2W 3W 5W



		<b>MTC 9110 25" 28"</b>		6-19 # 538E0260	
<b>COLOR MONITOR</b>		<b>UTD 126</b>			